

The highest safety & functionality ROV Shackles

The Gunnebo Industries ROV Retrieve Shackle is designed for smooth and easy use in retrieving and releasing subsea lifting and rigging operations. It has no loose parts, in closed or opened position, and therefore there is no need for wires or monkey fists that will risk snagging or getting in the way.

The high visibility handles are close-die forged and has double safety functions - shark tooth locking with indicator that will show if the shackle is in open or locked position as well as the spring loaded handle. The handle is the same size, regardless of size of shackle.

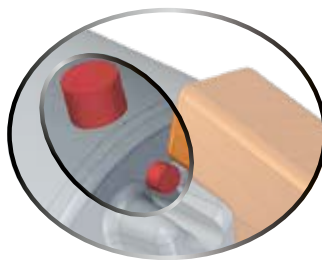


Indicator

- Indicator for open and closed position.

The strength is in the simplicity

- The strength of our ROV Shackle is the simplicity of its innovative design.

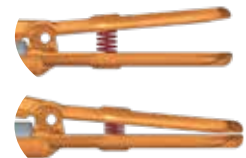
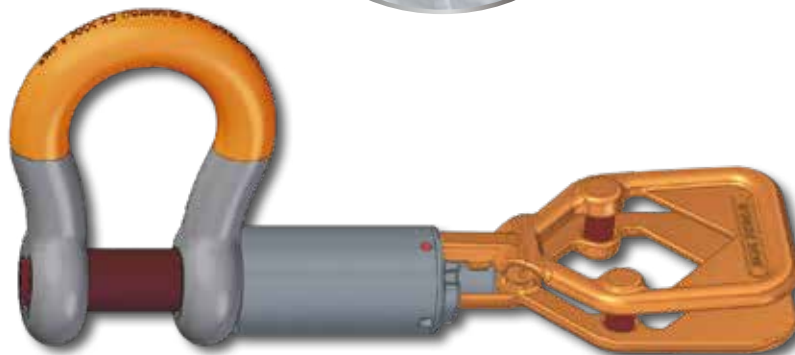


Easy Retrieve

- Easy retrieve from the sea bed.

No loose parts

- The design has no loose parts, in opened or closed position.



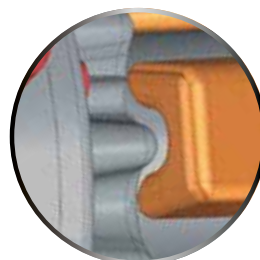
Perfect grip

- The V-designed two piece handle provides a better grip for the ROV unit.
- The handle can only be turned when pressed down.



Easy attachment

- Tapered bolt end for easy attachment.



Double safety functions

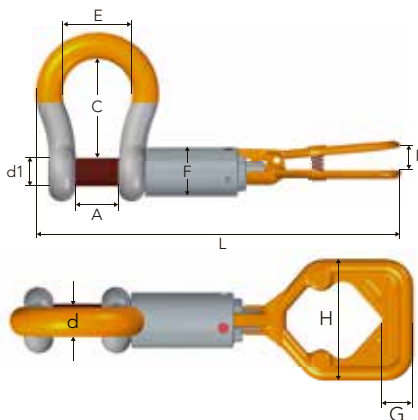
- Secure "Shark tooth" locking that shows if the ROV is in opened or closed position.
- Spring loaded handle.

High quality material

- High quality material and innovative design enables operations in demanding environments.
- Impact tested down to -40 °C to fullfill strict offshore specifications.

ROV Shackles

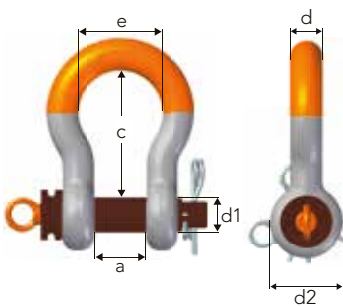
Retrieve and release



ROV Retrieve Shackle no 861

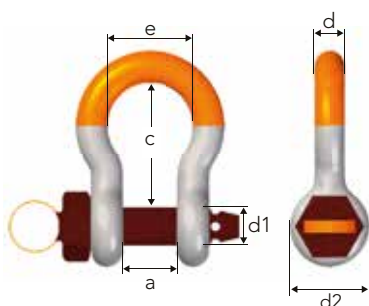
Art. no	WLL (tonnes)	d1	d	A	C	E	F	L	I	H	G	Weight (kg)
A086128	9.5	32	28	46	108	74	60	440	31	132	33	6.5
A086132	12	35	32	52	119	83	60	460	31	132	33	8.0
A086138	17	42	38	60	146	98	63.5	501	31	132	33	10.5
A086145	25	50	45	74	178	127	70	565	31	132	33	16.5
A086152	35	57	50	83	197	138	76	604	31	132	33	20.5
A086164	55	70	65	105	260	180	88	712	31	132	33	42.0
A086176	85	83	84	133	330	190	108	745	31	132	33	78.0

ROV Release Shackle no. 863 Equipped with bolt and two locking pins.



Art. no.	WLL (tonnes)	d1	d	a	c	d2	e	Weight (kg)
A086322	6.5	25	22	37	84	52	58	1.6
A086328	9.5	32	28	46	108	64	74	3.4
A086332	12	35	32	52	119	72	83	5.0
A086338	17	42	38	60	146	84	98	7.8
A086345	25	50	45	74	178	105	127	13.9
A086352	35	57	50	83	197	127	138	17.0
A086364	55	70	65	105	260	152	180	37.0

ROV Release Shackle no 860 Threaded bolt with one locking pin.



Art. no.	WLL (tonnes)	d1	d	a	c	d2	e	Weight (kg)
A086028	9.5	32	28	46	108	64	68	3.4
A086032	12	35	32	52	119	72	83	5.0
A086038	17	42	38	60	146	84	98	7.8
A086045	25	50	45	74	178	105	127	13.9
A086052	35	57	50	83	197	127	138	17.0
A086064	55	70	65	105	260	152	180	37.0